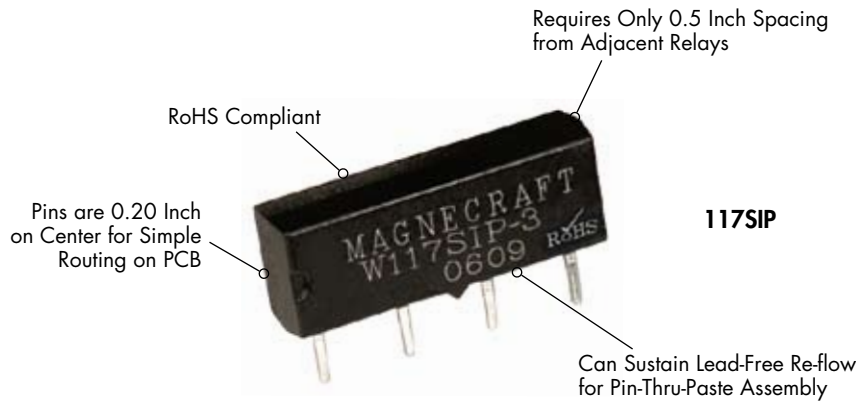
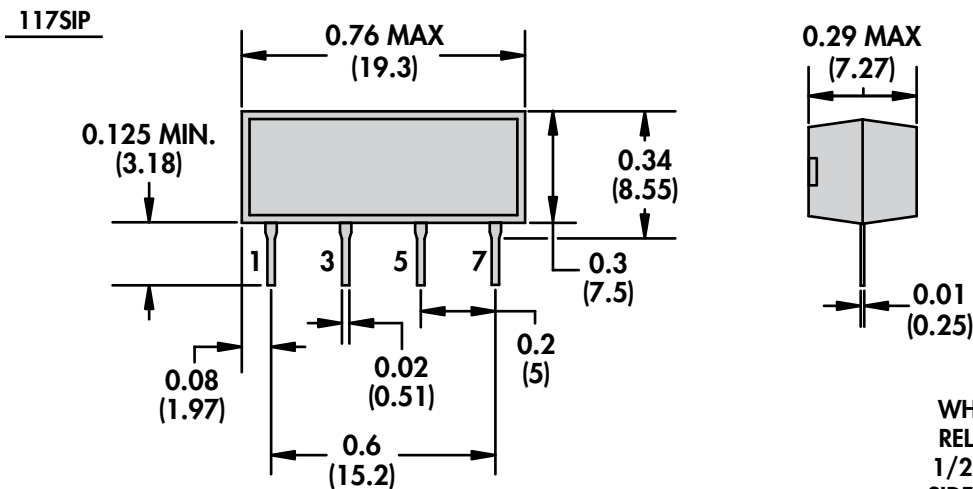


# 117SIP, 107DIP, 171DIP PCB Mount Miniature Reed Relays/SPDT and SPST 0.5 Amp Rated



## General Specifications

Contact Characteristics		Units	117SIP
Number and type of Contacts			SPST
Contact materials			Rhodium
Current rating		A	0.5
Switching voltage		V	120
		V	200
Minimum Switching Requirement	Minimum	mA	10
Coil Characteristics			
Voltage Range		V	5...24
Operating Range	% of Nominal		80% to 110%
Average consumption		W	0.29
Drop-out voltage threshold			10%
Performance Characteristics			
Electrical Life	Operations @ Rated Current (Resistive)		50,000,000
Mechanical Life	Unpowered		100,000,000
Operating time (response time)		ms	0.45
Rated insulation voltage	Between coil and contact	V	500
Dielectric strength	Between poles	V	500
rms voltage	Between contacts	V	150
Environment			
Ambient air temperature around the device	Storage	°C	-40...+85
	Operation	°C	-40...+55
Vibration resistance	Operational	g-n	20, 10-200 Hz
Shock resistance		g-n	50
Weight		grams	1



WHEN SPACING SIP AND DIP RELAYS, THE RELAYS REQUIRE 1/2 INCH SPACING FROM THE SIDE OF THE ADJACENT RELAYS

DRAWING ENLARGED TO 200% OF ACTUAL SIZE



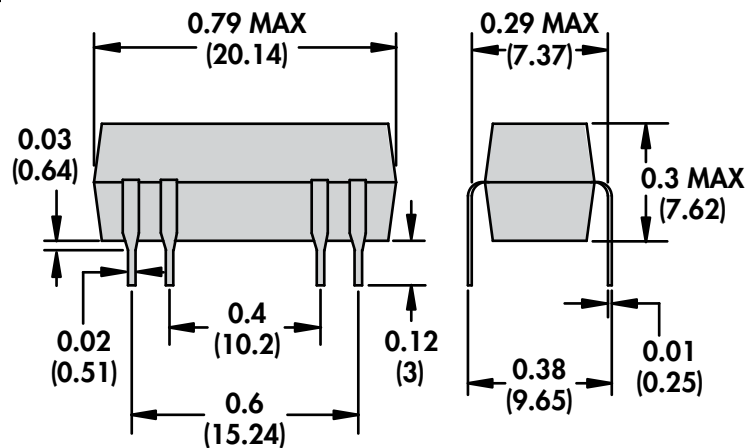
107DIP



171DIP

107DIP	171DIP	171DIP
SPST-NO	DPST-NO	SPST
Rhodium	Rhodium	Rhodium
0.5	0.5	0.5
120	120	60
100	100	100
10	10	10
5...24	5...24	5...24
80% to 110%	80% to 110%	80% to 110%
0.29	0.29	0.29
10%	10%	10%
50,000,000	50,000,000	50,000,000
100,000,000	100,000,000	100,000,000
1	1	1
1000	1000	1000
1000	1000	1000
200	200	200
-40...+85	-40...+85	-40...+85
-40...+55	-40...+55	-40...+55
20, 10-200 Hz	20, 10-200 Hz	20, 10-200 Hz
50	50	50
1	1	1

**107DIP & 171DIP**



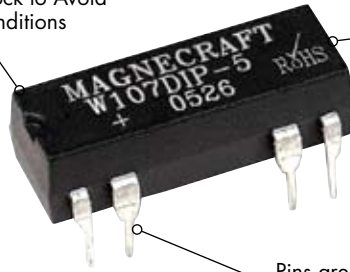
DRAWING ENLARGED TO 200% OF ACTUAL SIZE

# 117SIP, 107DIP, 171DIP PCB Mount Miniature Reed Relays/SPDT and SPST 0.5 Amp Rated

Can Survive High Shock to Avoid Damage in Harsh Conditions

Can Sustain Lead-Free Re-flow for Pin-Thru-Paste Assembly

107DIP



Pins are 0.10 Inch on Center for Simple Routing on PCB

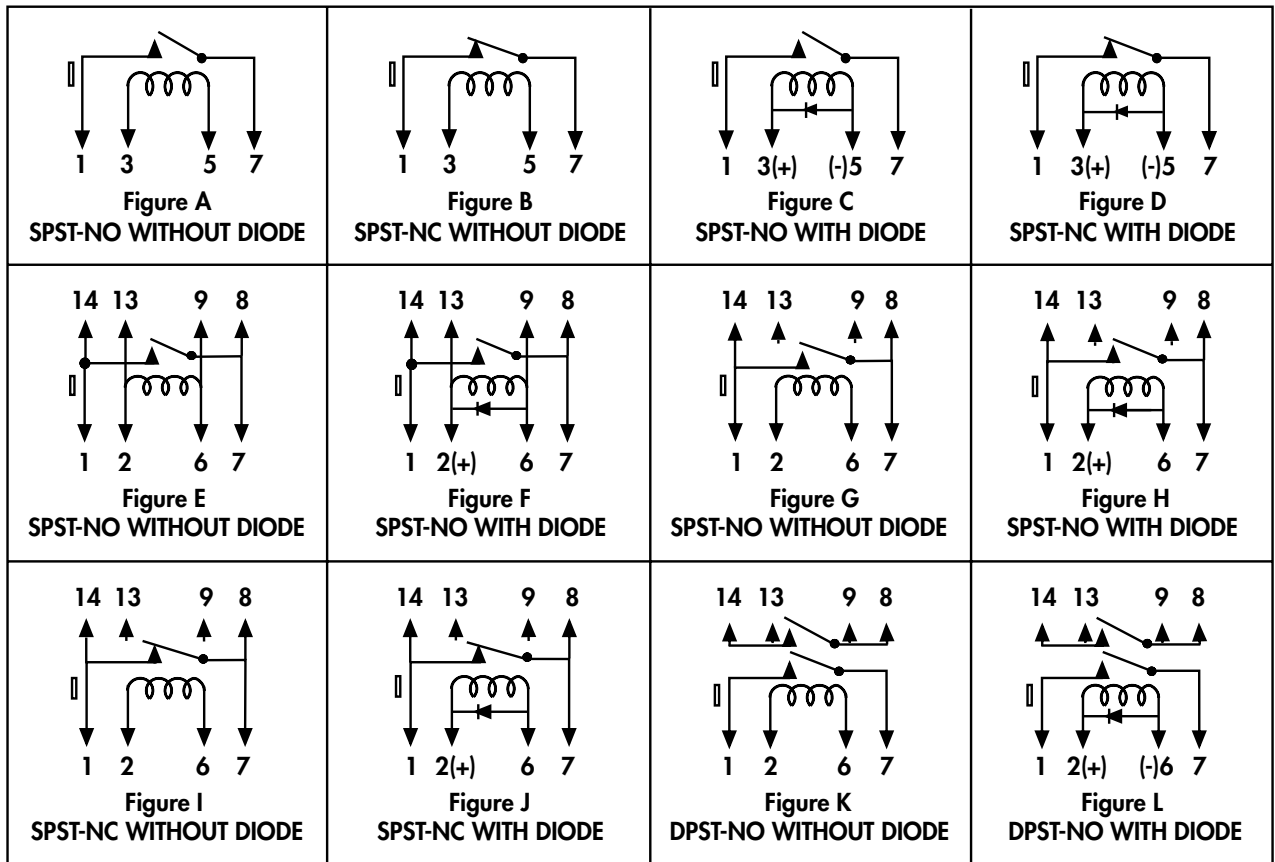


## Standard Part Numbers

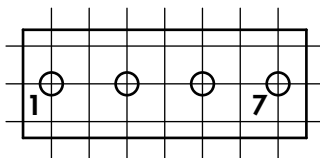
**BOLD-FACED PART NUMBERS ARE NORMALLY STOCKED**

Nominal Input Voltage	Nominal Coil Resistance ( $\Omega$ )	Part Number	Contact Configuration	Figure
5 VDC	500 $\Omega$	<b>W117SIP-1</b>	SPST-NO	A
12 VDC	1000 $\Omega$	<b>W117SIP-3</b>	SPST-NO	A
24 VDC	2000 $\Omega$	W117SIP-5	SPST-NO	A
5 VDC	500 $\Omega$	<b>W117SIP-22</b>	SPST-NC	B
12 VDC	1000 $\Omega$	W117SIP-23	SPST-NC	B
24 VDC	2200 $\Omega$	W117SIP-24	SPST-NC	B
5 VDC	500 $\Omega$	<b>W117SIP-6</b>	SPST-NO w/ Clamping Diode	C
12 VDC	1000 $\Omega$	W117SIP-8	SPST-NO w/ Clamping Diode	C
24 VDC	2200 $\Omega$	<b>W117SIP-10</b>	SPST-NO w/ Clamping Diode	C
5 VDC	500 $\Omega$	<b>W117SIP-18</b>	SPST-NC w/ Clamping Diode	D
12 VDC	1000 $\Omega$	W117SIP-25	SPST-NC w/ Clamping Diode	D
24 VDC	2200 $\Omega$	W117SIP-26	SPST-NC w/ Clamping Diode	D
5 VDC	500 $\Omega$	<b>W107DIP-1</b>	SPST-NO	E
12 VDC	1000 $\Omega$	<b>W107DIP-3</b>	SPST-NO	E
24 VDC	2000 $\Omega$	<b>W107DIP-4</b>	SPST-NO	E
5 VDC	500 $\Omega$	<b>W107DIP-5</b>	SPST-NO w/ Clamping Diode	F
12 VDC	1000 $\Omega$	<b>W107DIP-7</b>	SPST-NO w/ Clamping Diode	F
24 VDC	2000 $\Omega$	<b>W107DIP-8</b>	SPST-NO w/ Clamping Diode	F
5 VDC	500 $\Omega$	<b>W171DIP-2</b>	SPST-NO	G
12 VDC	1000 $\Omega$	<b>W171DIP-4</b>	SPST-NO	G
24 VDC	2200 $\Omega$	<b>W171DIP-5</b>	SPST-NO	G
5 VDC	500 $\Omega$	<b>W171DIP-7</b>	SPST-NO w/ Clamping Diode	H
12 VDC	1000 $\Omega$	W171DIP-9	SPST-NO w/ Clamping Diode	H
24 VDC	2200 $\Omega$	<b>W171DIP-10</b>	SPST-NO w/ Clamping Diode	H
5 VDC	500 $\Omega$	<b>W171DIP-12</b>	SPST-NC	I
12 VDC	1000 $\Omega$	<b>W171DIP-14</b>	SPST-NC	I
24 VDC	2200 $\Omega$	W171DIP-15	SPST-NC	I
5 VDC	500 $\Omega$	<b>W171DIP-17</b>	SPST-NC w/ Clamping Diode	J
12 VDC	1000 $\Omega$	<b>W171DIP-19</b>	SPST-NC w/ Clamping Diode	J
24 VDC	2200 $\Omega$	<b>W171DIP-20</b>	SPST-NC w/ Clamping Diode	J
5 VDC	500 $\Omega$	<b>W171DIP-21</b>	DPST-NO	K
12 VDC	1000 $\Omega$	<b>W171DIP-23</b>	DPST-NO	K
24 VDC	2200 $\Omega$	<b>W171DIP-24</b>	DPST-NO	K
5 VDC	500 $\Omega$	<b>W171DIP-25</b>	DPST-NO w/ Clamping Diode	L
12 VDC	1000 $\Omega$	<b>W171DIP-27</b>	DPST-NO w/ Clamping Diode	L
24 VDC	2200 $\Omega$	<b>W171DIP-28</b>	DPST-NO w/ Clamping Diode	L

**WIRING DIAGRAMS**  
**TOP VIEW**

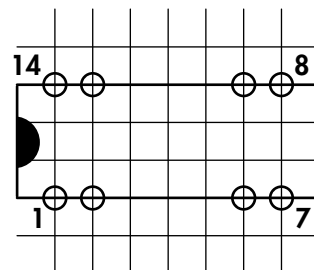


**117SIP CIRCUIT BOARD PIN SPACING**  
**VIEWED FROM COMPONENT SIDE**  
**(TOP VIEW)**



0.1 IN GRID  
(2.54 MM)

**107DIP & 171DIP CIRCUIT BOARD PIN SPACING**  
**VIEWED FROM COMPONENT SIDE**  
**(TOP VIEW)**



CIRCUIT BOARD PIN SPACINGS ENLARGED TO 200% OF ACTUAL SIZE